



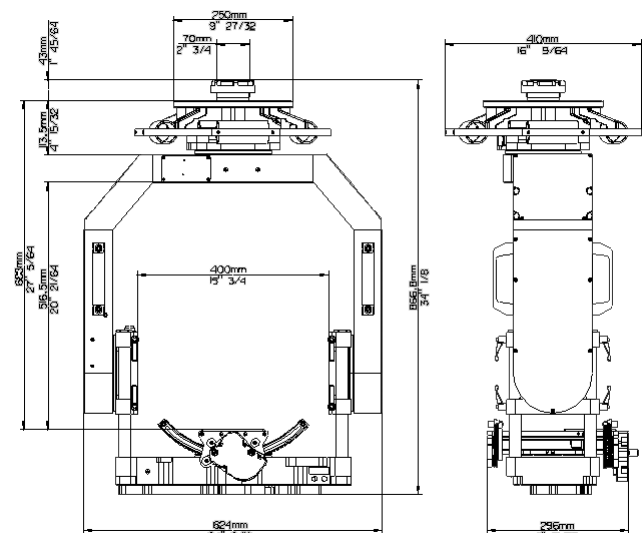
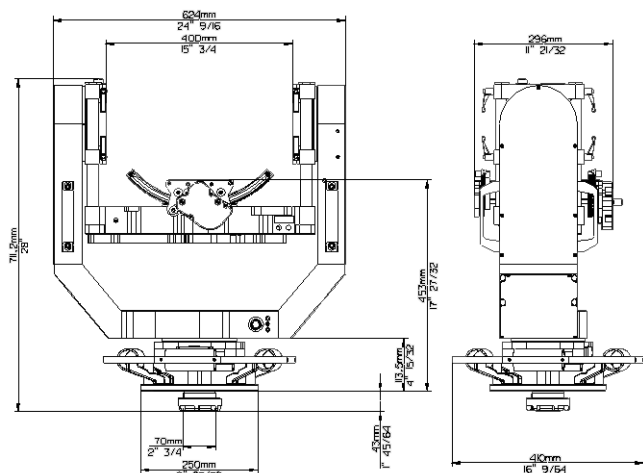
SCORPIO STABILIZED HEAD



"we stop the world only for you" SCORPIO STABILIZED HEAD

TECHNICAL SPECIFICATIONS

SPEED ROTATION:	120°/Second all axis
BACK PAN:	PAN and TILT 360°, ROLL +/- 30°
HEAD WEIGHT:	Automatic
MAX CAMERA WEIGHT:	33 Kg / 72 lbs
POWER REQUERIMENTS:	30V DC
STANDBY CURRENT:	800 mA
MAXIMUM CURRENT:	8 A
MAXIMUM USABLE LENS FOCAL:	300 mm
SET-UP TIME:	The same as a standard Scorpio Head



The Scorpio Stabilized Head can be controlled two ways:

- By cable up to 500 meters (1500 feet)
- By microwave Scorpio Radio System

SCORPIO STABILIZED HEAD PROVIDES

- Power for all film and video cameras
- Two video lines
- Witness camera
- Power supply for Scorpio Focus or other popular Lens Control
- Three control systems are available: Handwheels, Joystick and Pan Bar
- Programmable limits, Damping and Speed adjustment for all axes
- Horizon level
- Looking straight down 4th axis control capability

WIRELESS CONTROL

- Connection between Scorpio Stabilized Head and control.
- Half duplex microwave 2.4 GHz
- 99 channels of communication.
- Aux power out 12V.



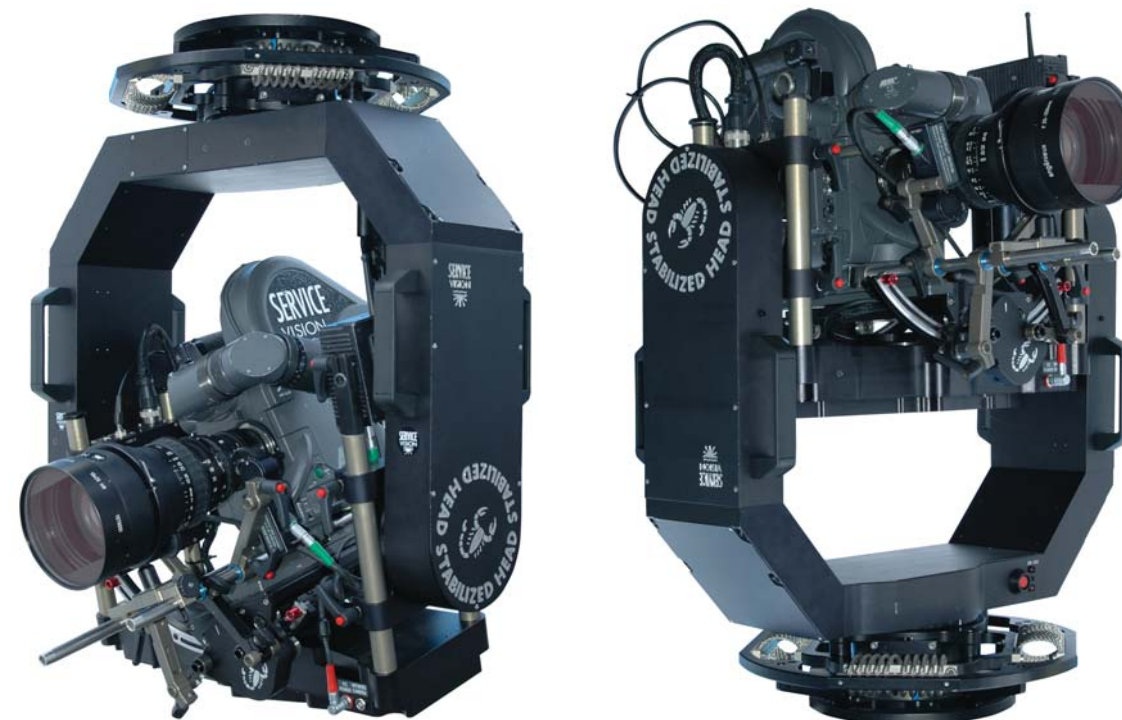
SCORPIO FOCUS WIRELESS



SERVICEVISION SYSTEM S.A.
 Pedrosa A, 44
 Poligono Industrial Gran Via Sur
 08908 L'HOSPITALET (Barcelona) Spain
 Tel. +34 93 223 86 30
 Fax +34 93 223 86 31
comercial@servicevisionsystem.com
www.servicevisionsystem.com

SERVICEVISION USA
 10821 Vanowen St. Unit C
 North Hollywood CA91605
 USA
 Tel. +1 818 623 1970
 Fax +1 818 623 1975
rental@servicevisionusa.com
www.servicevisionusa.com

D.L.-B-41138-04



The Scorpio Stabilized Head is a digital remote head with stabilization in all axes. It can be defined using three basic concepts: **Fast**, **Easy** and **Effective**.

Fast

The set up time is the same as any standard Scorpio Remote Head. Changing the camera package on the Scorpio Stabilized Head is as fast as any Geared or Fluid Head.

Easy

It does not require complicated adjustments or counterweights to level the camera. Any change from the initial camera package only requires simple visual balancing. Its design allows easy access to the camera equipment in order to change the magazine, the position of the lens control motors or the placement of any accessory.

Effective

Its digital system will stabilize any film or video camera up to 45Kg.(100lbs). Its stabilization is effective up to 300 mm focal length in 35 mm. It will stabilize typical zooms such as 24-275 mm or 24-290 mm. The level of stabilization is optimal for any telescopic crane, fixed crane, dolly, camera car, or any type of platform.

3 CONTROL SYSTEMS



Handwheels



Joystick



JDR (Pan Bar)



AWARD CINEC 2004



www.servicevisionsystem.com